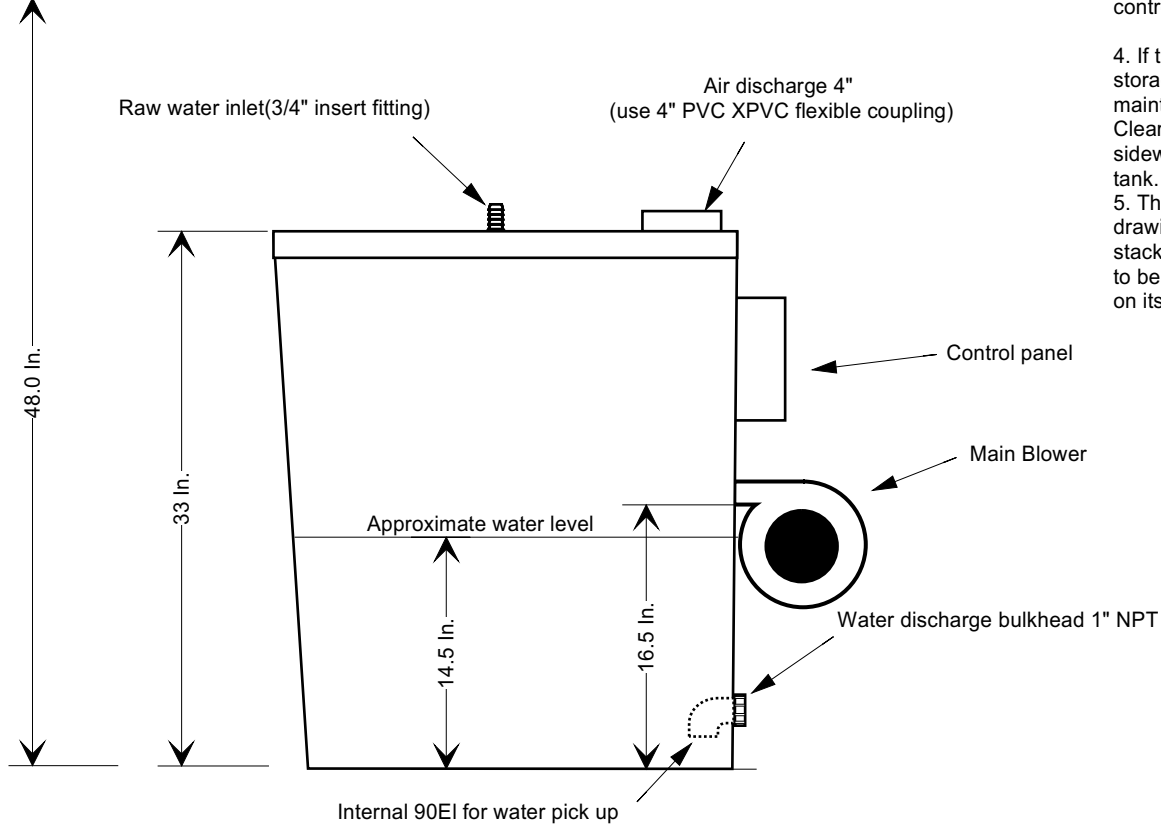


Minimum recommended head room.

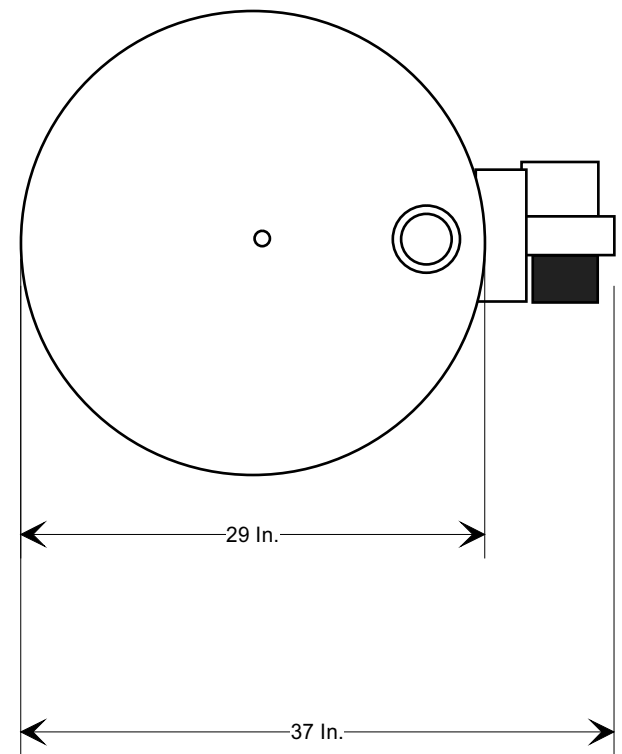


Side View

Note:

1. All dimensions are to the nearest 1/4 ".
2. The tank will fit through a standard 2'6" door way.
3. Be sure to leave service room in front of the control panel. (at least 3')
4. If the Clearadon is to gravity feed into additional storage, the top of the storage tank is to be maintained at least 16 1/2" above the bottom of the Clearadon and the pick up elbow needs to be turned sideways to vent air from the drain line to the storage tank.
5. The minium head room recommendation(see drawing) allows for the installation and removal of stack for service. It does not allow the aearation tray to be removed without draining the unit and tipping it on its side.

Top View



Clearadon - Dimensions for system installation



AIR & WATER QUALITY INC.

219 Roosevelt Trail- Windham, ME 04062
Tel # (800) 698-9655

For:	
Date:	1/5/00
Scale:	NTS